

Alert Point

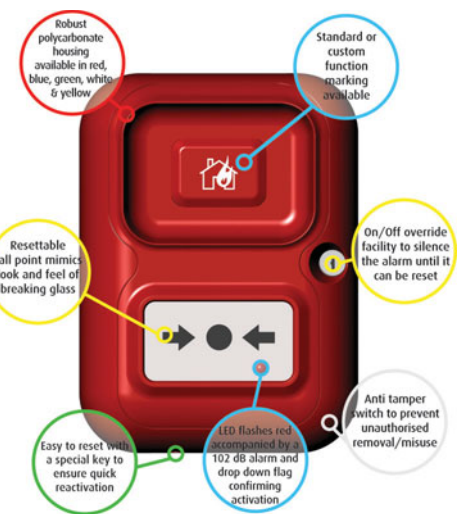
The Alert Point is an aesthetically pleasing, robust and fully featured stand alone alarm system. Powered with a 9v PP3 alkaline battery, the Alert Point includes an integral sounder and resettable call point.

Manufactured from tough polycarbonate, the Alert Point is designed for use in industrial, commercial and retail applications as well as portacabins, car parks, churches and holiday parks. It also incorporates a tamper switch to prevent unauthorised removal or misuse.

Available in a variety of colours, the Alert Point can be used for a wide variety of applications such as Fire, Intruder, Panic, Evacuation, Assist or General alarm.

Once activated the Alert Point will emit a 102 dB alarm (at 1 m), an activation flag drops in to view and the built in LED facility flashes red. Any external connected devices will be activated. The Alert Point can be easily reset with a special key, ensuring that the unit is quickly operational again. An override facility can silence the alarm until the Alert Point can be reset.

The Alert Points can be interconnected and have the ability to monitor each other to create a network of protection. A 12/30 V dc external power connection is incorporated in the Alert Point to support external devices such as sounders and strobes. With an easy, 4-screw, wire-free installation, this truly versatile product is the ideal solution for establishments that have a requirement for a simple, but effective alarm system.



Features

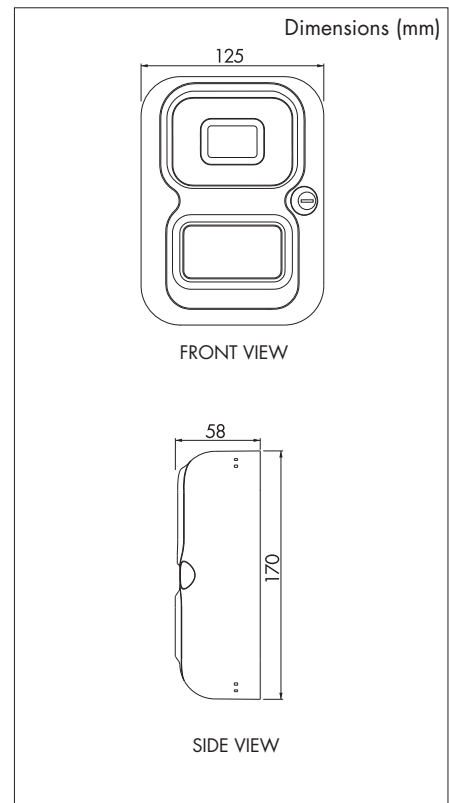
- Stand alone, self contained alarm system.
- No wiring involved, simple 4 screw installation
- Battery powered (incorporates 12/30V dc facility), 9V PP3 supplied
- Robust polycarbonate housing, can take the severest of knocks
- Integral resettable call point, simple key to reset, no broken glass or parts to replace
- Visible warning flag and flashing LED, for quick activation identification
- Variety of sounder tone, output and duration options
- Integral sounder - 100 dB (at 1m)
- System healthy, fault and alarm LED indication
- Low battery warning, provides a 15 month stand-by life
- Can be linked to sounders, strobes, call points & detectors
- Can be interconnected and monitored, creates a network of protection
- Available in a choice of colours
- Standard or custom marking available



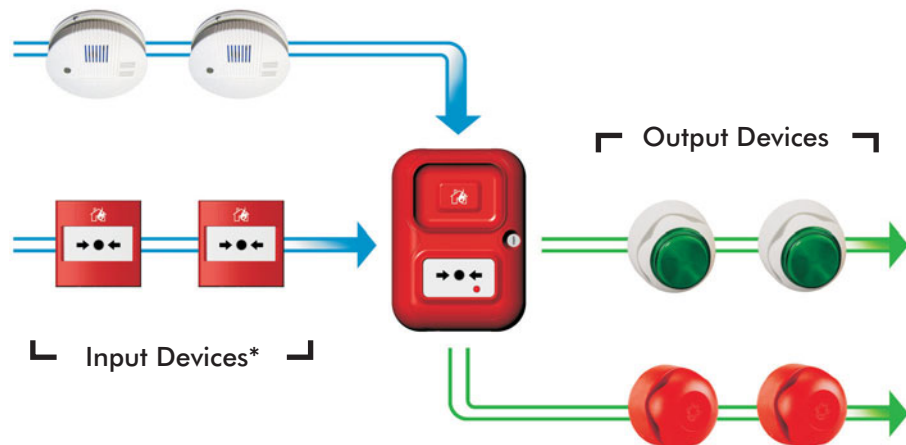
Specification

Housing Material	Polycarbonate
Electrical Contact Material	Silver Plated Brass
Power Source	9V PP3 Alkaline Battery
External Power Source	12 to 30 V dc
IP Rating	Indoor
Operating Temperature	0°C to 49°C
Installation Terminal	0.5mm to 2.5mm
Conductor Size	
Sounder Output (at 1m)	High - 100 dB Low - 95dB
Relay Output	30 V dc, 1 A
Standby Current	45 µA
Alarm Current (running from battery only)	28 mA - low volume 32 mA - High volume
Tones	7 (plus tamper tone)
Cable Entries	7
Weight	490 g
Dimensions	125 W x 170 H x 58 D mm
Colours	Red, Yellow, Green, Blue & White

Installation



Supporting Input & Output Devices



*compatible with any detector which has a built in relay output option

VIMPEX

Vimpex Ltd

Star Lane, Great Wakering
Essex, SS3 0PJ England.
Tel: +44 (0) 1702 216999
Fax: +44 (0) 1702 216699
E-mail: sales@vimpex.co.uk

www.vimpex.co.uk



Quality System Certificate No. 456
Assessed to ISO 9001:2000



We reserve the right to change or amend any design or specification in line with our policy of continuing development and improvement.

Part No: DS/ALERT/ISS 1

Other Products and Accessories



- Fire-Cryer® Voice Enhanced Sounders
- Electronic Sounders
- Fire Alarm Bells
- Beacons and Strobe Lights
- Sounder Accessories & Fire System Ancillaries
- Stopper Range of Vandal Deterrent Products
- Water Leakage Detection Systems